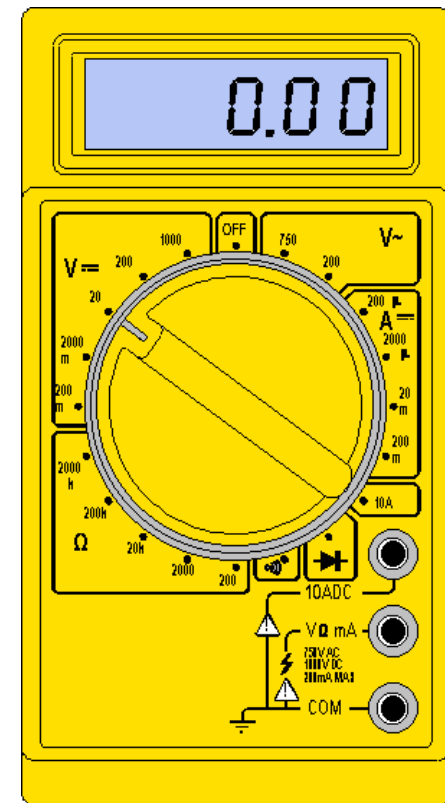


How To Use A Digital Multimeter

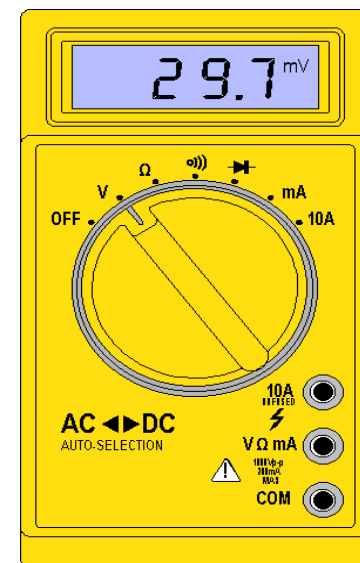
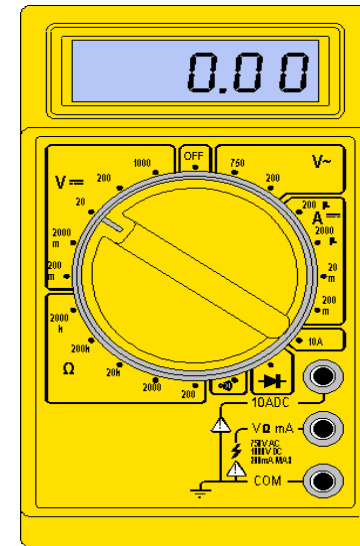
Multimeter Definition

- A multimeter is a device used to measure voltage, resistance and current in electronics & electrical equipment
- It is also used to test continuity between to 2 points to verify if there are any breaks in a circuit or line
- There are two styles of multimeter
Analog & Digital
 - Analog has a needle style gauge
 - Digital has a LCD display (Referenced during this PPT)



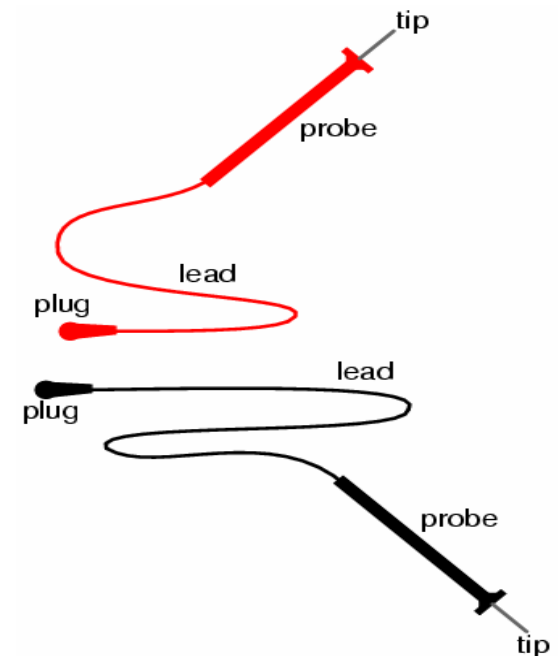
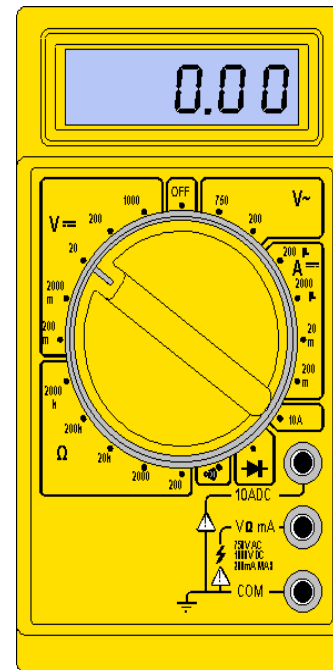
Types of Multimeters

- **Switched multimeter (top) is manually switched between ranges to get most accurate reading**
- **Auto Range (bottom) switches between value ranges automatically for best reading**
- **Both of these are switched manually between function settings and measure the same way**

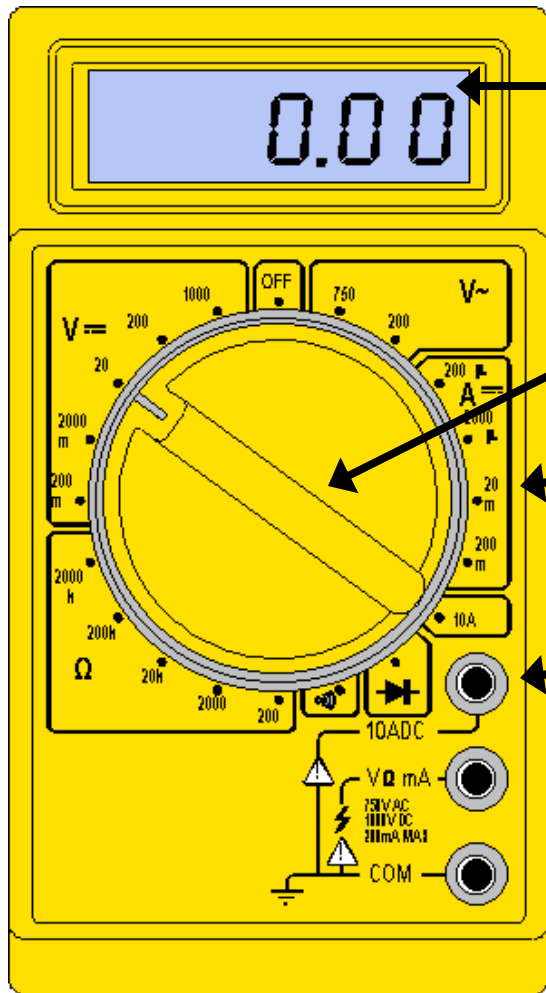


Multimeter Leads

- **Red Meter Lead** is connected to **Voltage/Resistance or Amperage** port and are considered the positive connection
- The **Probes** are the handles used to hold tip on the connection being tested
- The **Tips** are at the end of the probe and provides a connection point
- **Black Meter Lead** is connected to the **common/ground** port and is considered the negative connection

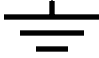
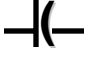



Display & Dial Settings



- **Digital Display shows measured value.**
- **Meter Dial turns On/OFF meter and changes functions.**
- **Panel Indicator shows each function and setting range**
- **Probe Connections specific for each function**

Common DMM Symbols

~	AC Voltage		Ground
---	DC Voltage		Capacitor
Hz	Hertz	μF	MicroFarad
+	Positive	μ	Micro
-	Negative	m	Milli
Ω	Ohms	M	Mega
	Diode	K	Kilo
•)))	Audible Continuity	OL	Overload

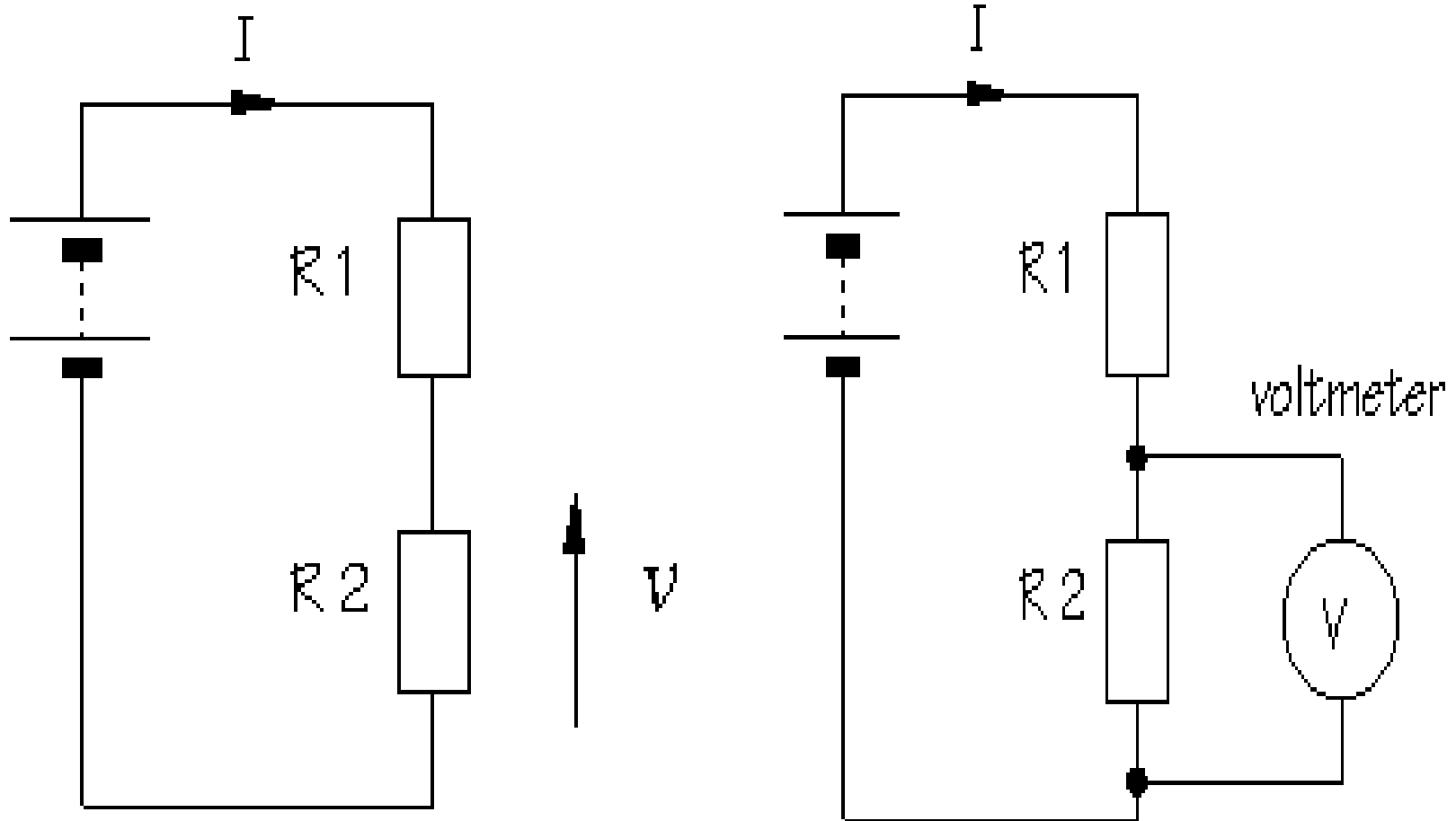
These symbols are often found on multimeter and schematics.

They are designed to symbolize components and reference values.

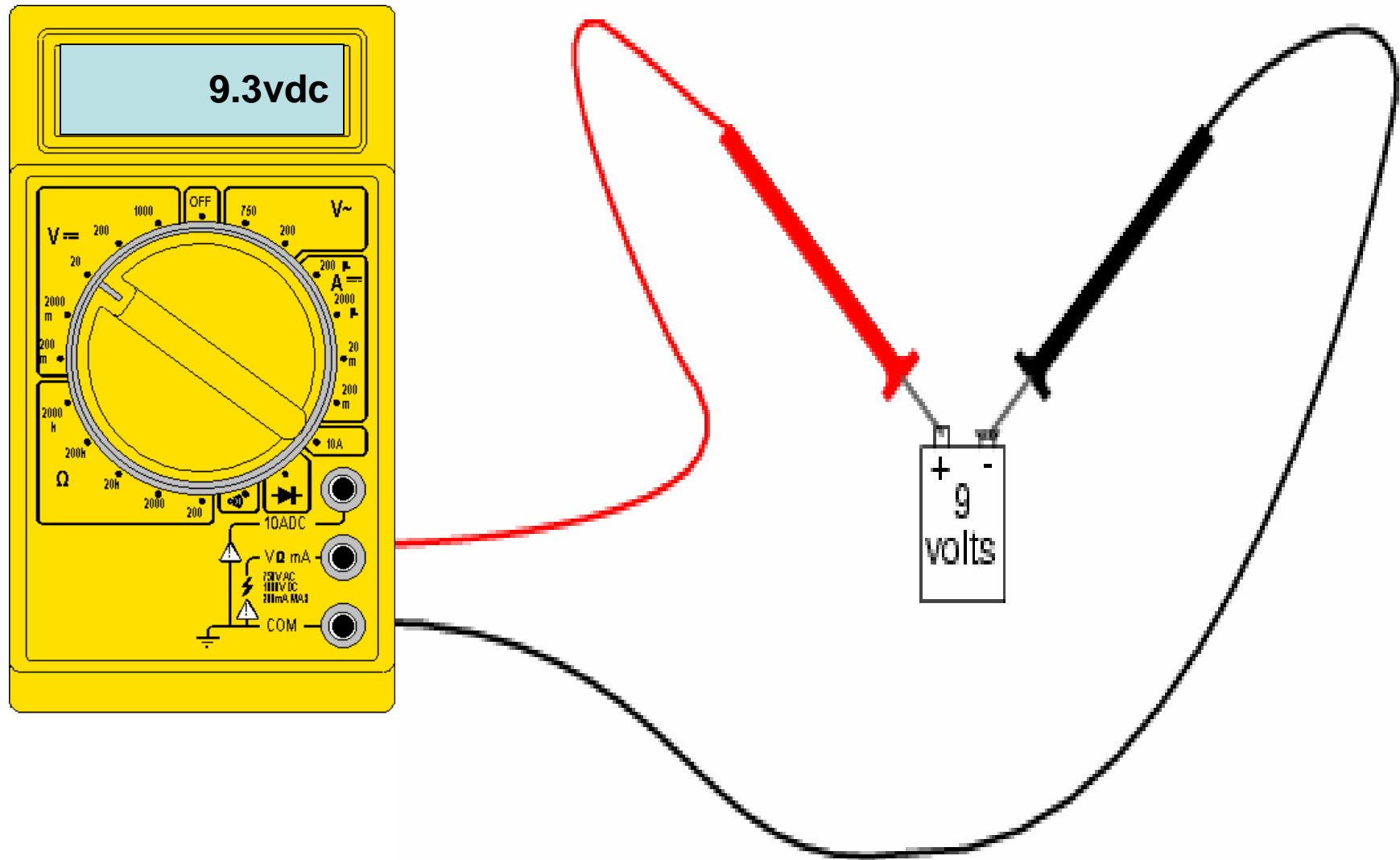
Measuring Voltage

- **Voltage (V) is the unit of electrical pressure; one volt is the potential difference needed to cause one amp of current to pass through one ohm of resistance**
- **Voltage is broke up into 2 sections AC & DC**
 - Alternating Current (AC) is house voltage (110vac)**
 - Direct Current (DC) is battery voltage (12vdc)**
- **On switched meters use one value higher than your expected value**
- **Be very careful to not touch any other electronic components within the equipment and do not touch the tips to each other while connected to anything else**
- **To measure voltage connect the leads in parallel between the two points where the measurement is to be made. The multimeter provides a parallel pathway so it needs to be of a high resistance to allow as little current flow through it as possible**

Measuring Voltage



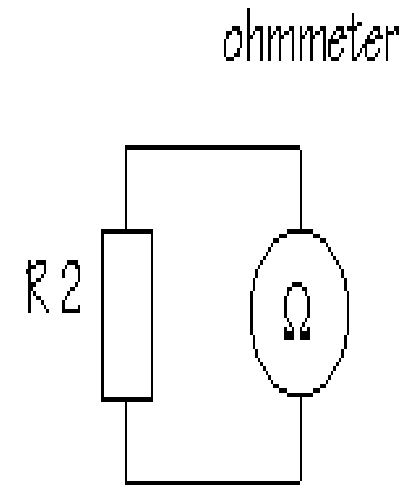
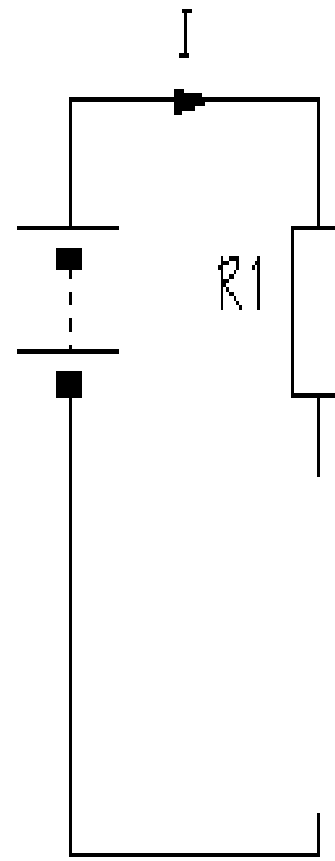
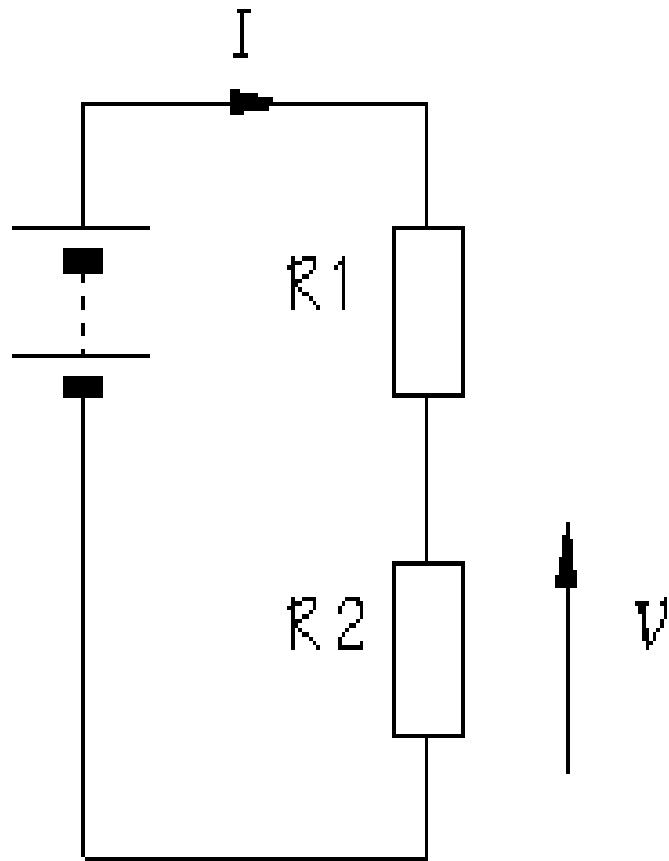
Measuring Voltage



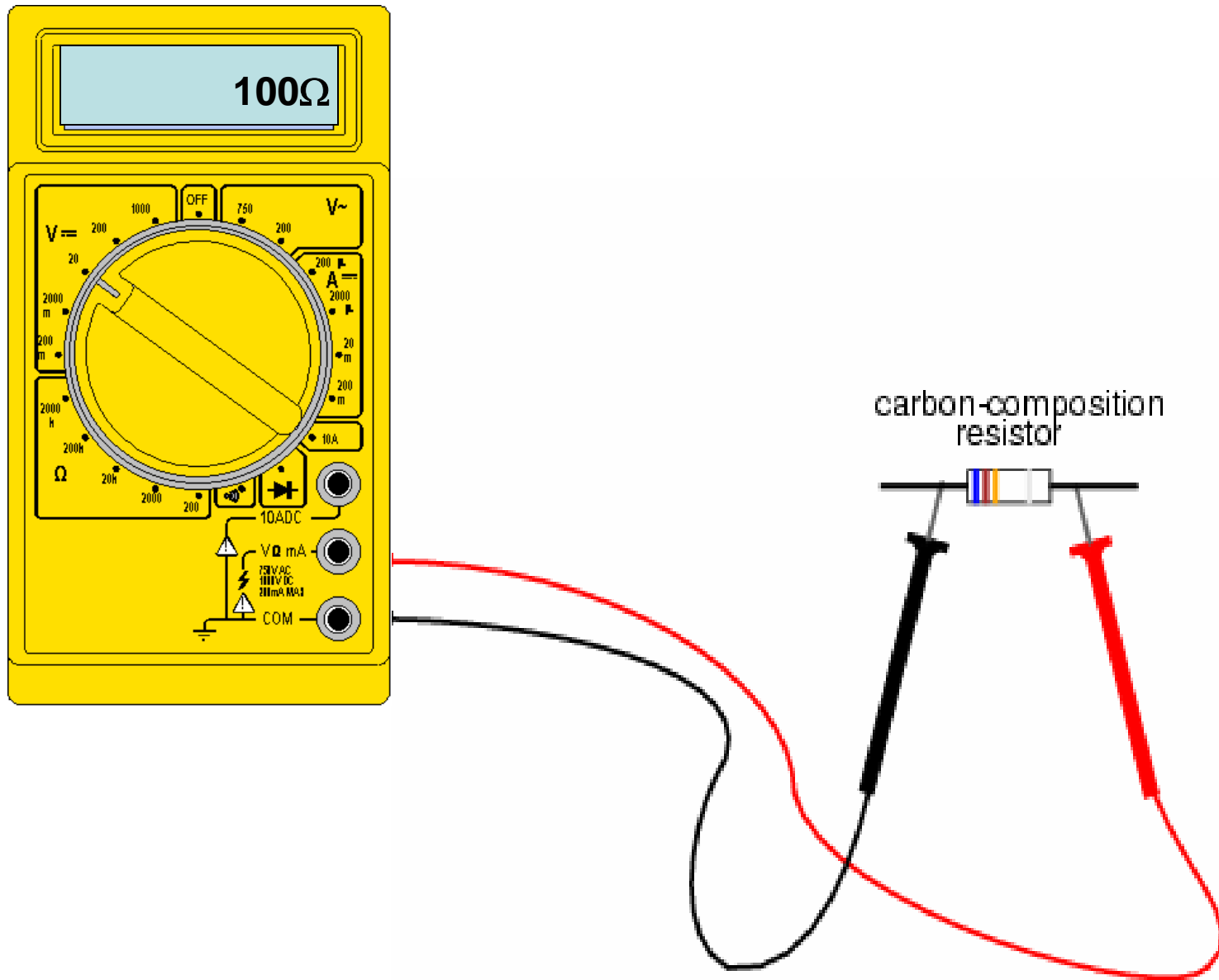
Measuring Resistance and Continuity

- **Resistance (Ω) is the opposition to current**
- **Resistance is measured in Ohm's**
- **Disconnect power source before testing**
- **Remove component or part from system before testing**
- **Measure using lowest value, if OL move to next level**
- **Testing for continuity is used to test to verify if a circuit, wire or fuse is complete with no open**
- **Audible continuity allows an alarm if circuit is complete**
- **If there is no audible alarm, a resistance reading of .1 ohm to 1 ohm should be present**

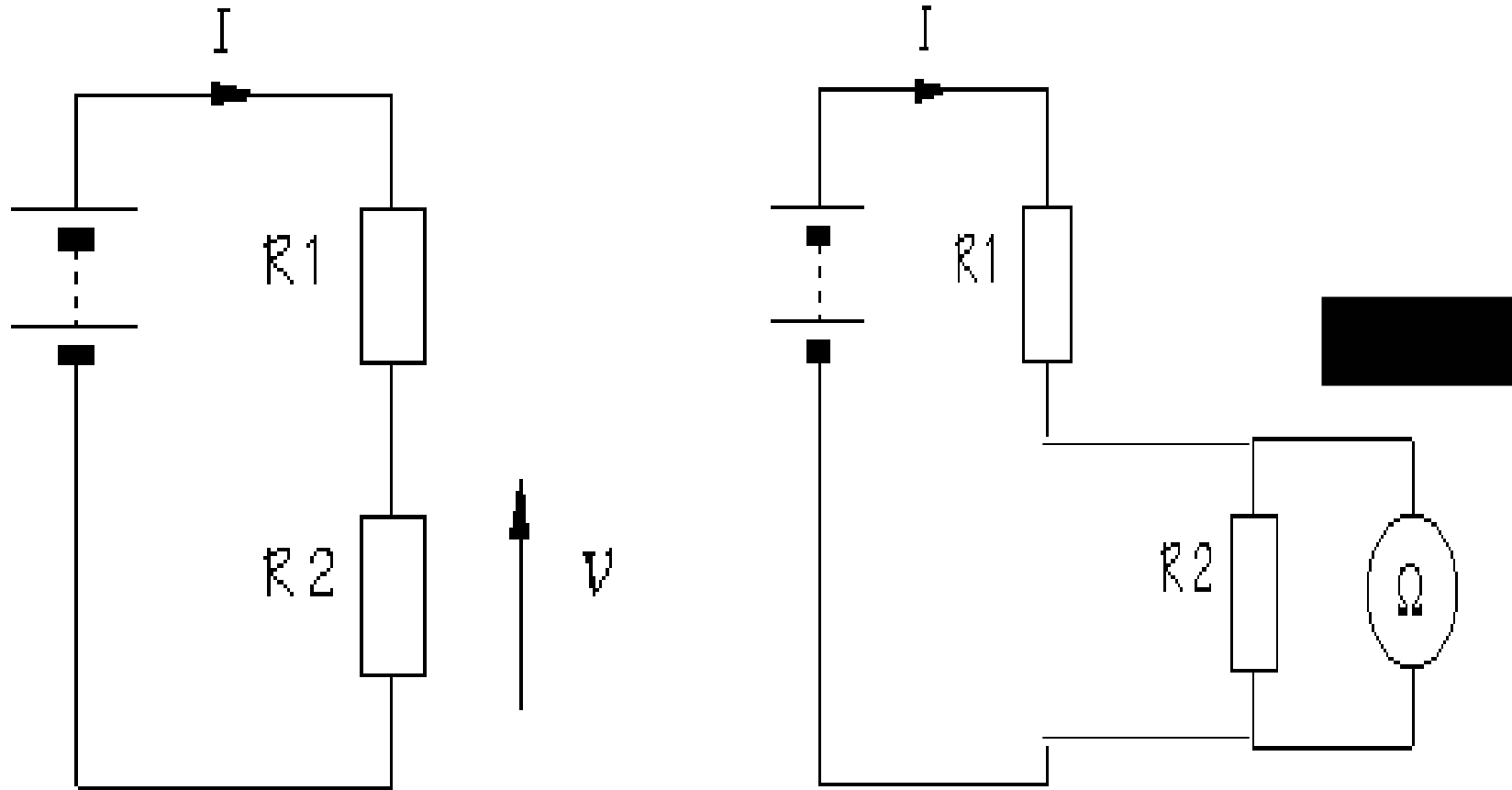
Measuring Resistance



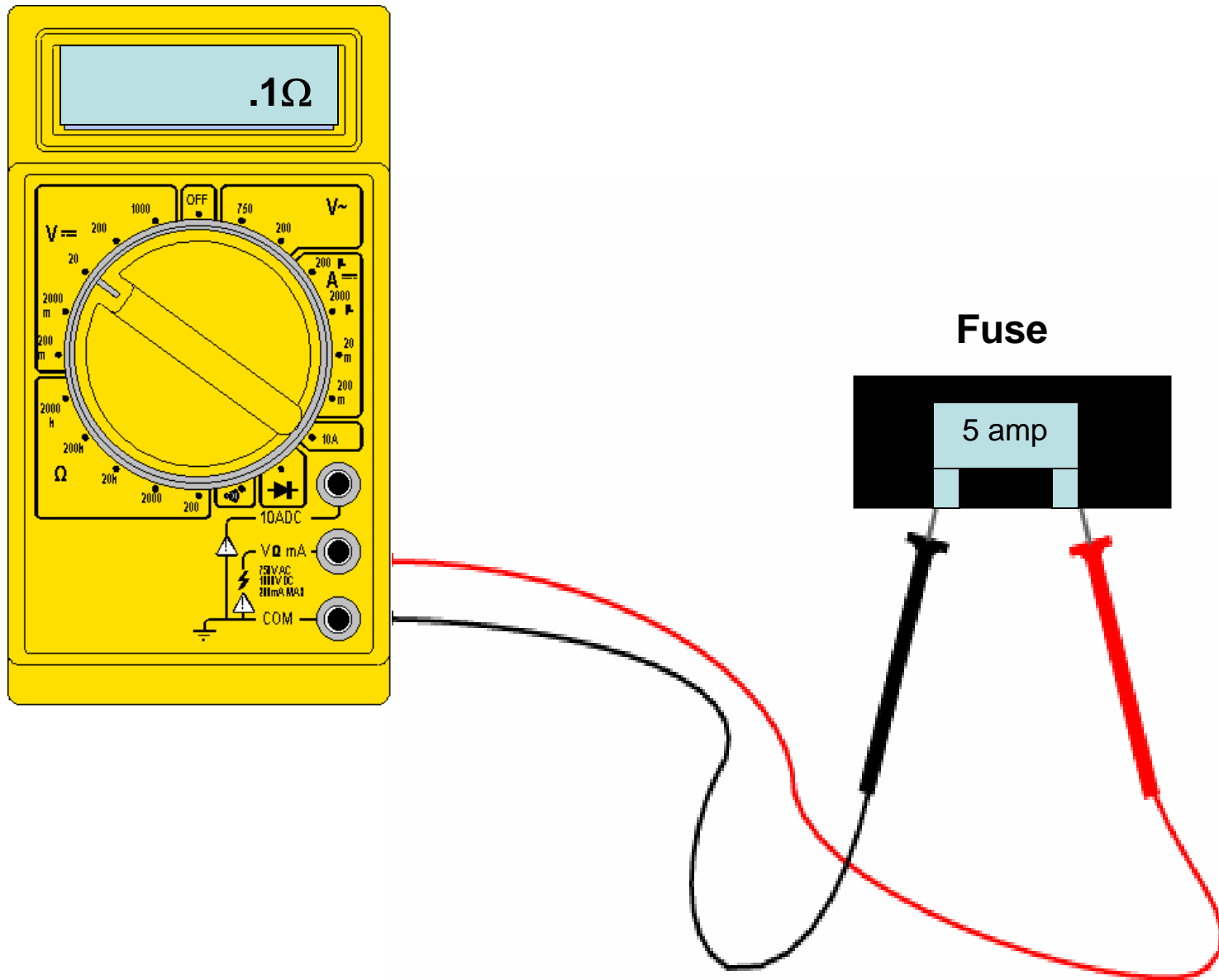
Measuring Resistance



Measuring or Testing Continuity



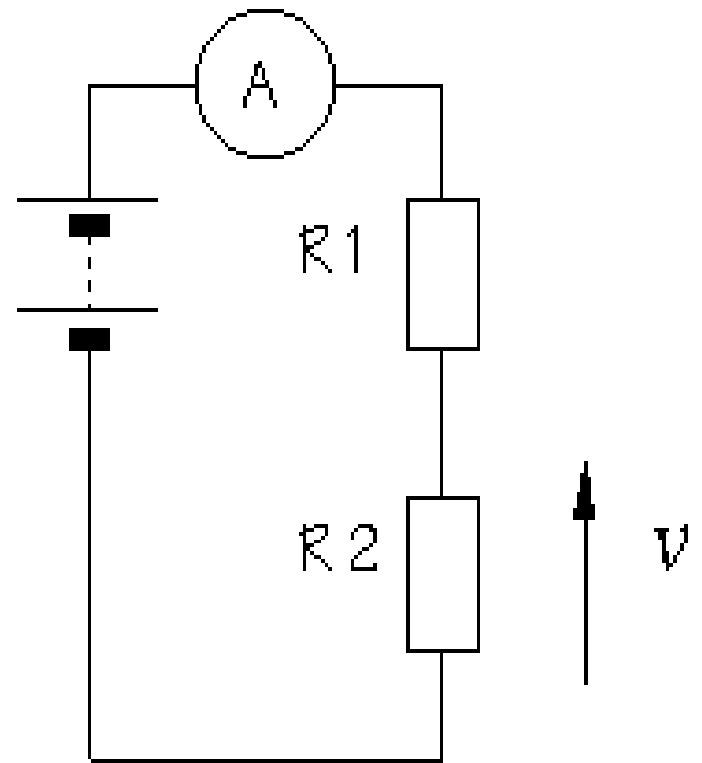
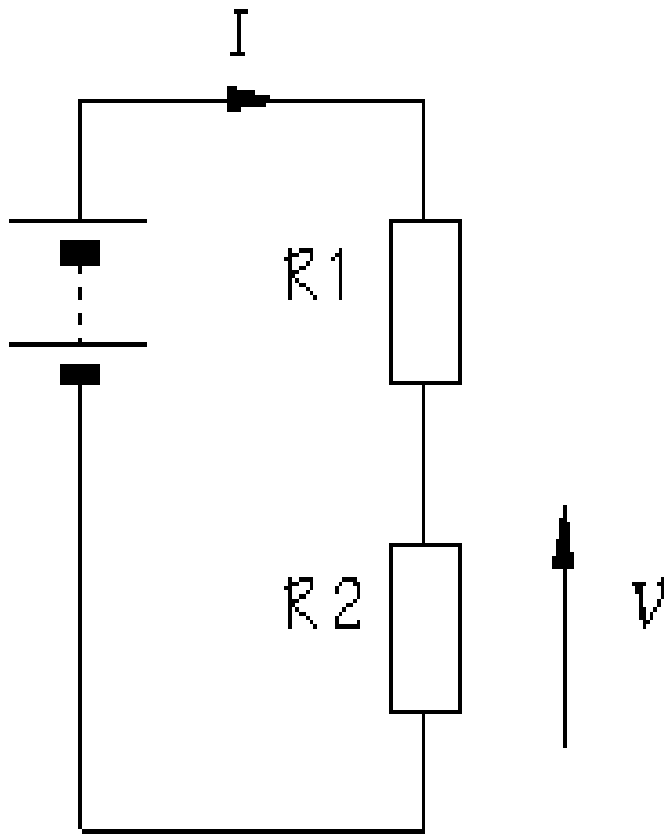
Measuring or Testing Continuity



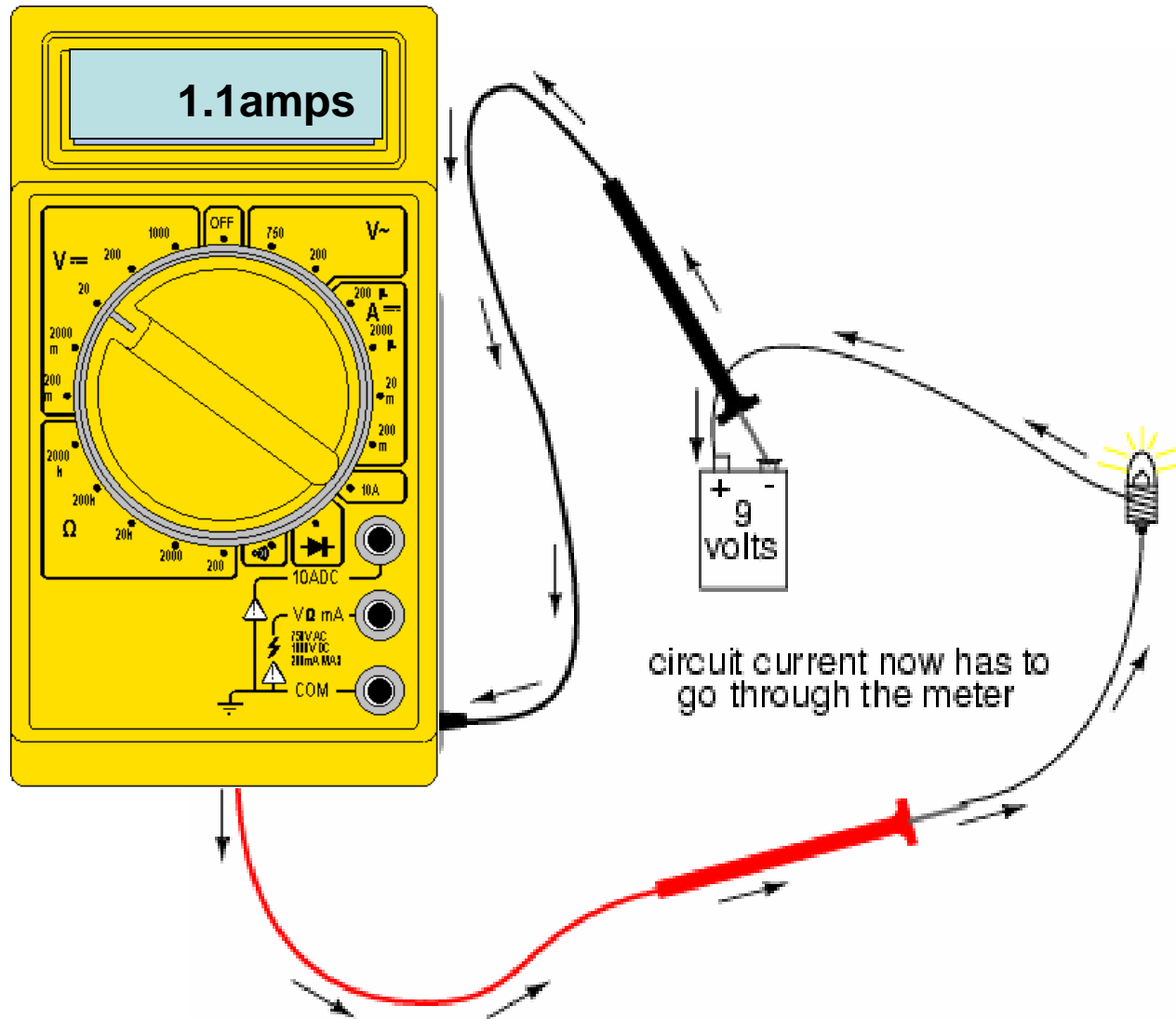
Measuring Current

- **Current (amps) is the flow of electrical charge through a component or conductor**
- **Current is measured in amps or amperes**
- **Disconnect power source before testing**
- **Disconnect completed circuit at end of circuit**
- **Place multimeter in series with circuit**
- **Reconnect power source and turn ON**
- **Select highest current setting and work your way down.**

Measuring Current



Measuring Current



Review

- A meter capable of checking for voltage, current, and resistance is called a *multimeter*,
- When measuring Voltage the multimeter must be connected to two points in a circuit in order to obtain a good reading. Be careful not to touch the bare probe tips together while measuring voltage, as this will create a short-circuit!
- Never read Resistance or test for Continuity with a multimeter on a circuit that is energized.
- When measuring Current the multimeter must be connected in a circuit so the electrons have to flow *through* the meter
- Multimeters have practically no resistance between their leads. This is intended to allow electrons to flow through the meter with the least possible difficulty. If this were not the case, the meter would add extra resistance in the circuit, thereby affecting the current